

## CONTROLLER FOR GAME MACHINE

Patent Number: WO9532776  
Publication date: 1995-12-07  
Inventor(s): FUJIWARA HIDEYUKI (JP); MATSUOKA KOJI (JP); KURIYAMA SATORU (JP); MIURA KATSUHIRO (JP)  
Applicant(s): FUJIWARA HIDEYUKI (JP); MATSUOKA KOJI (JP); NAMCO LTD (JP); KURIYAMA SATORU (JP); MIURA KATSUHIRO (JP)  
Requested Patent:  WO9532776  
Application Number: WO1995JP01051 19950531  
Priority Number(s): JP19940140830 19940531; JP19940207951 19940808  
IPC Classification: A63F9/22  
EC Classification: G06K11/18C, A63F13/06  
Equivalents:  JP8047581

### Abstract

A controller for game machines, which can readily operate an operating button while simultaneously performing a plurality of stepless operations. The controller comprises an operating body (12) which can be grasped by one hand, a push-in-type manipulating portions (14, 16) and a rotary-type manipulating portion (18) provided on the operating body (12). The push-in-type manipulating portions (14, 16) are formed to be operated such that they can be protruded predetermined distances by biasing forces of biasing means and pushed in against the biasing forces in a stepless manner at locations where any one of the fingers of one hand are positioned. The rotary-type manipulating portion (18) is formed such that rotating manipulation relative to the operating body (12) can be performed at locations where it can be manipulated by the other hand. Operating buttons (26, 28) are provided at locations where any one of the fingers of the other hand are positioned.

FIG. 1A

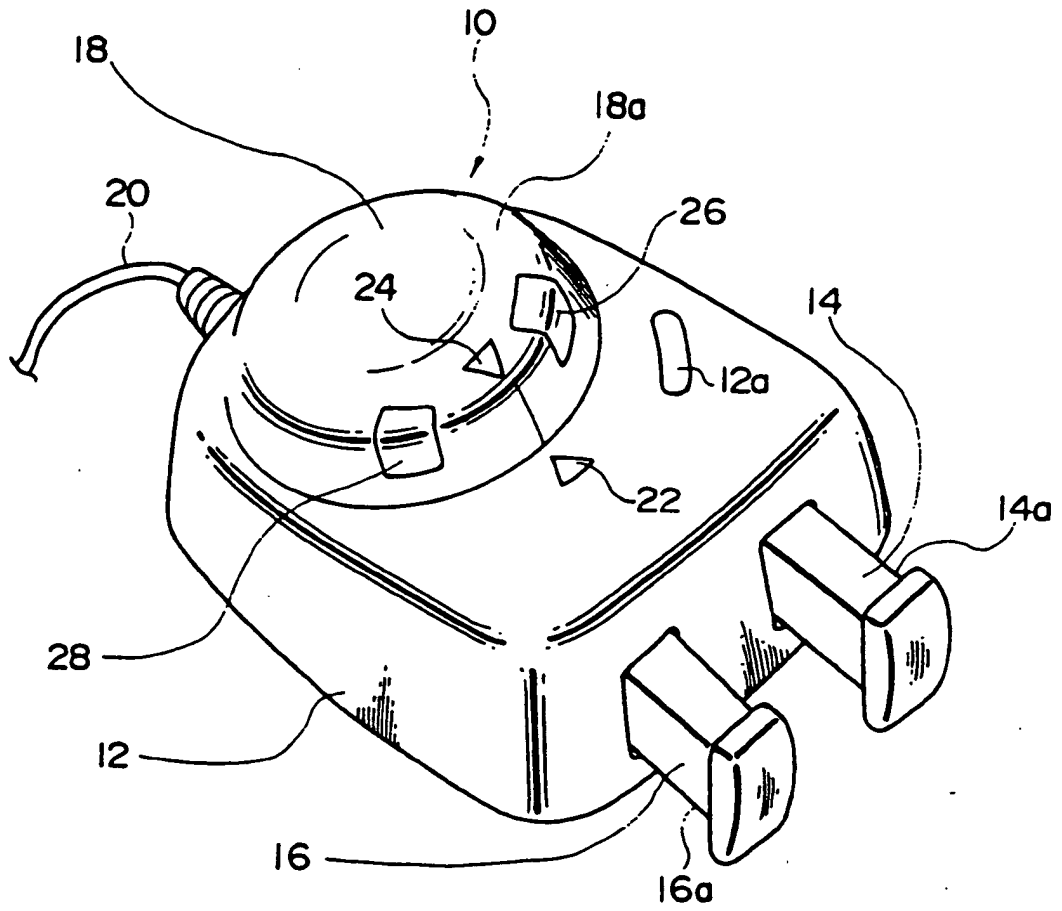


FIG. 1B

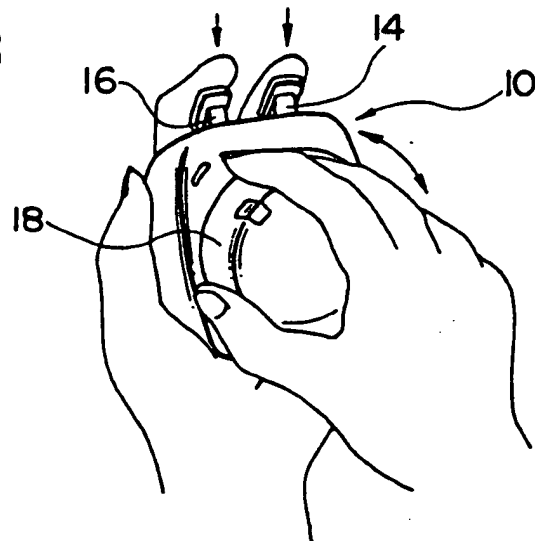


FIG. 2A

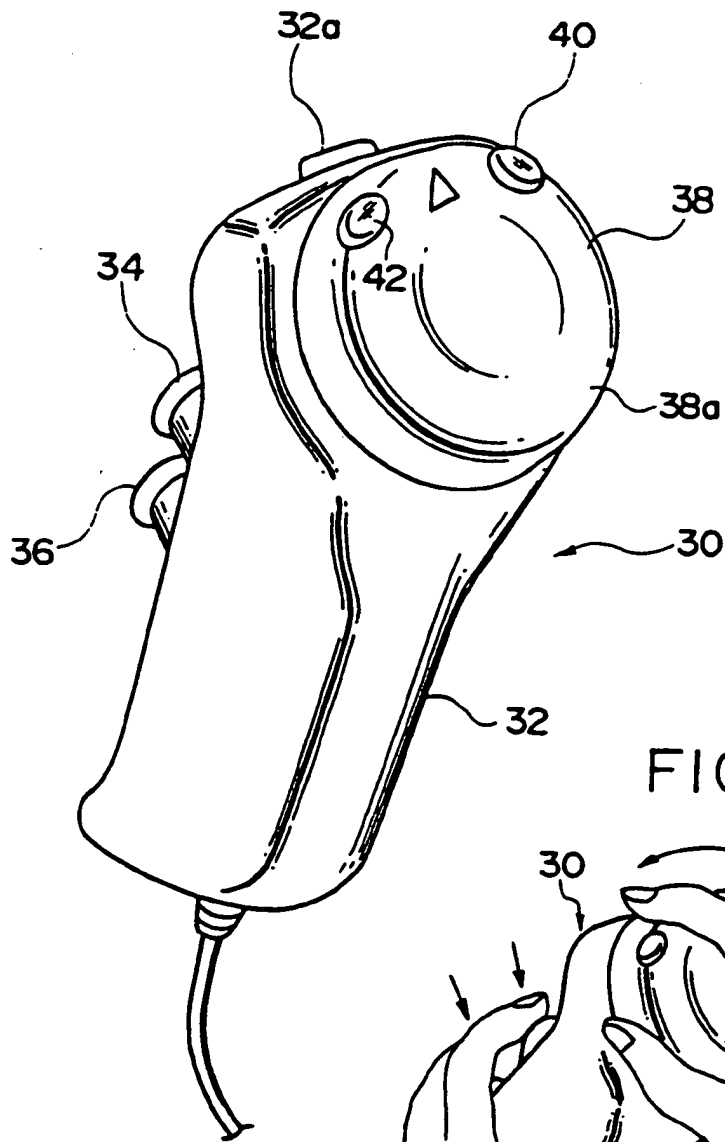


FIG. 2B

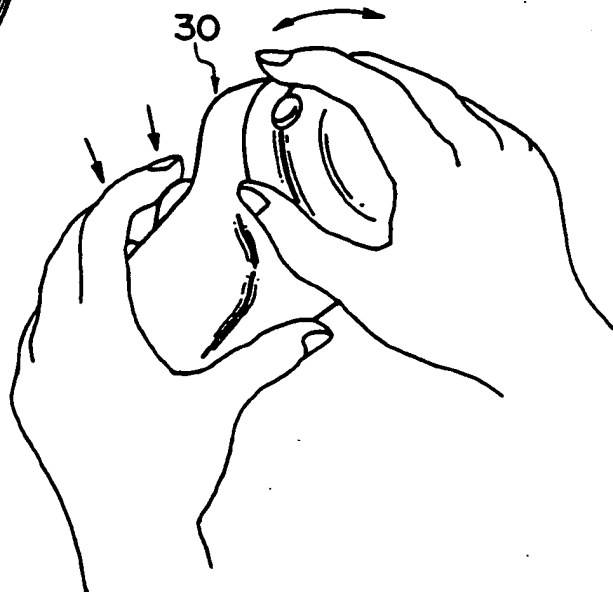


FIG. 3A

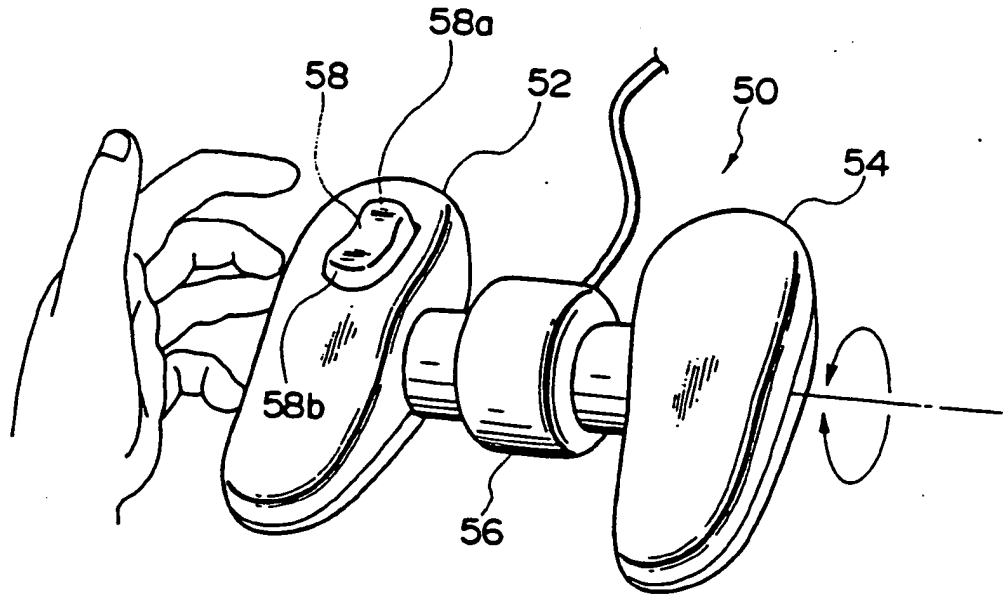


FIG. 3B

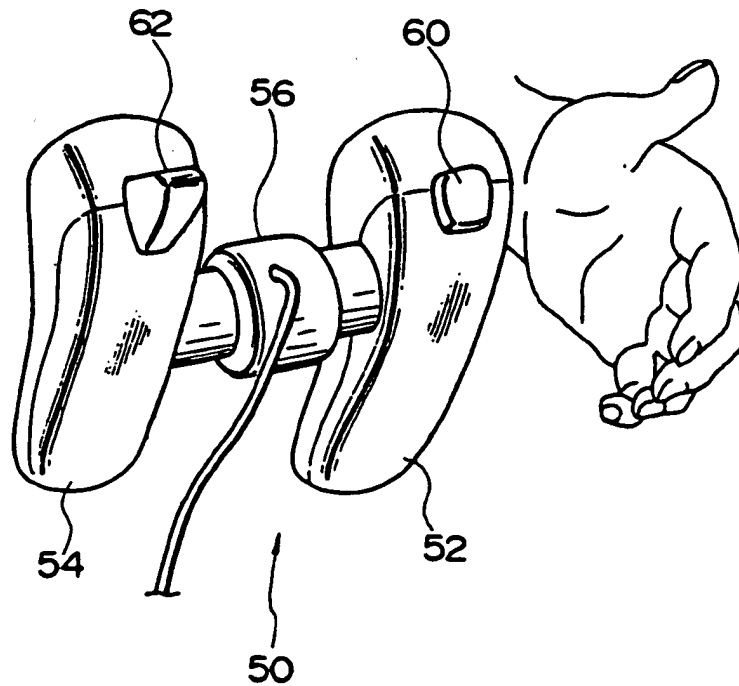


FIG. 4

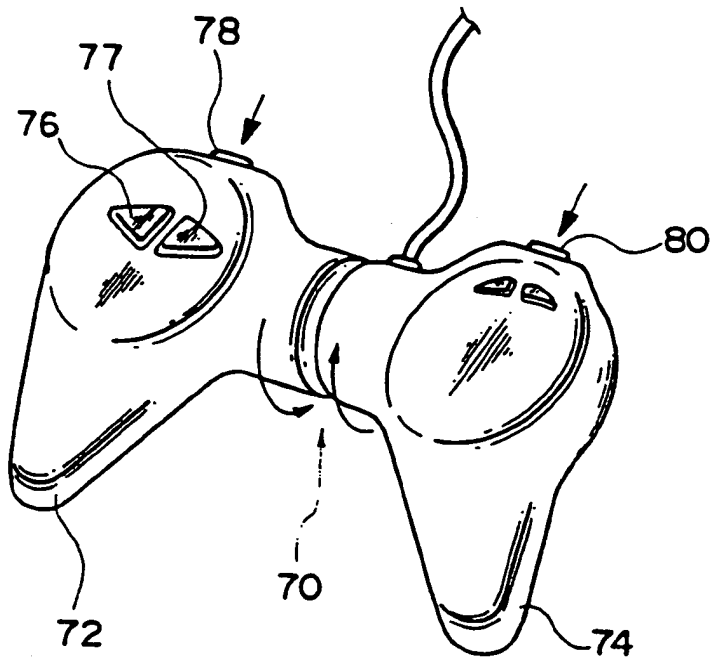
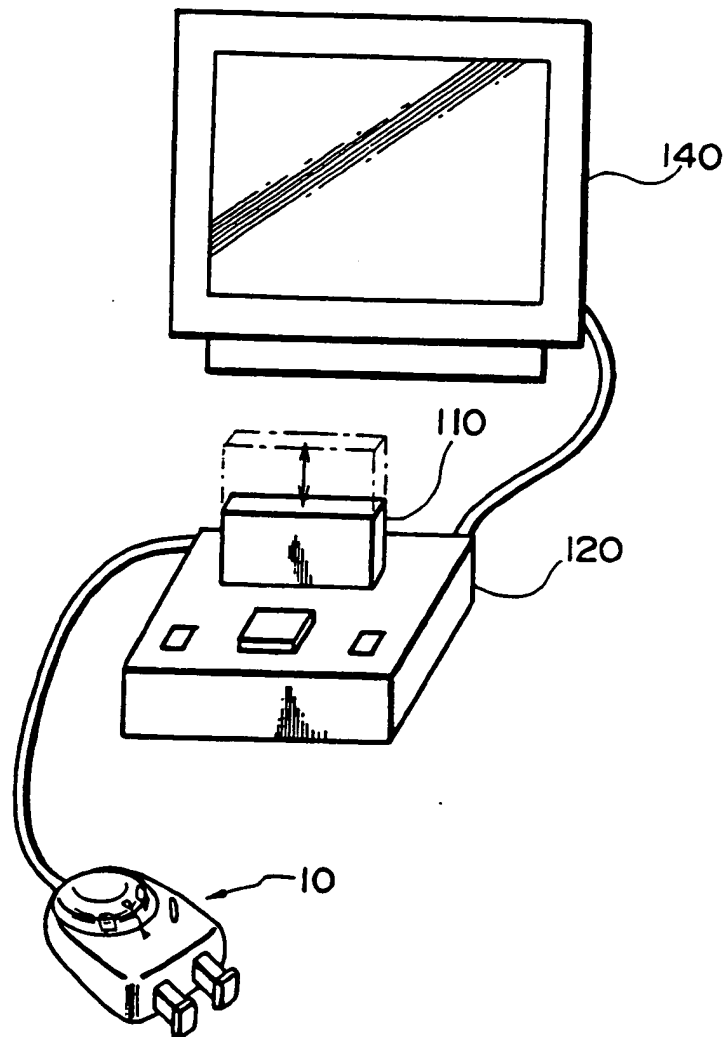


FIG. 5



## INTERNATIONAL SEARCH REPORT

International application No.

PCT/JP95/01051

## A. CLASSIFICATION OF SUBJECT MATTER

Int. C1<sup>6</sup> A63F9/22

According to International Patent Classification (IPC) or to both national classification and IPC

## B. FIELDS SEARCHED

Minimum documentation searched (classification system followed by classification symbols)

Int. C1<sup>6</sup> A63F9/22, G06F3/033

Documentation searched other than minimum documentation to the extent that such documents are included in the fields searched

Jitsuyo Shinan Koho	1922 - 1995
Kokai Jitsuyo Shinan Koho	1971 - 1995
Toroku Jitsuyo Shinan Koho	1994 - 1995

Electronic data base consulted during the international search (name of data base and, where practicable, search terms used)

## C. DOCUMENTS CONSIDERED TO BE RELEVANT

Category*	Citation of document, with indication, where appropriate, of the relevant passages	Relevant to claim No.
A	JP, 5-92848, U (NEC Home Electronics Co., Ltd.), December 17, 1993 (17. 12. 93) (Family: none) Full descriptions, Fig. 1	1
P, Y	JP, 7-116351, A (Sugiyama Electron K.K.), May 9, 1995 (09. 05. 95) (Family: none) Full descriptions, Figs. 1 to 2	2
Y	JP, 1-38062, U (Sccess K.K.), March 7, 1989 (07. 03. 89) (Family: none) Full descriptions, Figs. 1 to 4	2

 Further documents are listed in the continuation of Box C. See patent family annex.

## \* Special categories of cited documents:

"A" document defining the general state of the art which is not considered to be of particular relevance

"E" earlier document but published on or after the international filing date

"L" document which may throw doubts on priority claim(s) or which is cited to establish the publication date of another citation or other special reason (as specified)

"O" document referring to an oral disclosure, use, exhibition or other means

"T" document published prior to the international filing date but later than the priority date claimed

"T" later document published after the international filing date or priority date and not in conflict with the application but cited to understand the principle or theory underlying the invention

"X" document of particular relevance; the claimed invention cannot be considered novel or cannot be considered to involve an inventive step when the document is taken alone

"Y" document of particular relevance; the claimed invention cannot be considered to involve an inventive step when the document is combined with one or more other such documents, such combination being obvious to a person skilled in the art

"&amp;" document member of the same patent family

Date of the actual completion of the international search

July 11, 1995 (11. 07. 95)

Date of mailing of the international search report

August 1, 1995 (01. 08. 95)

Name and mailing address of the ISA/

Japanese Patent Office

Authorized officer

Facsimile No.

Telephone No.